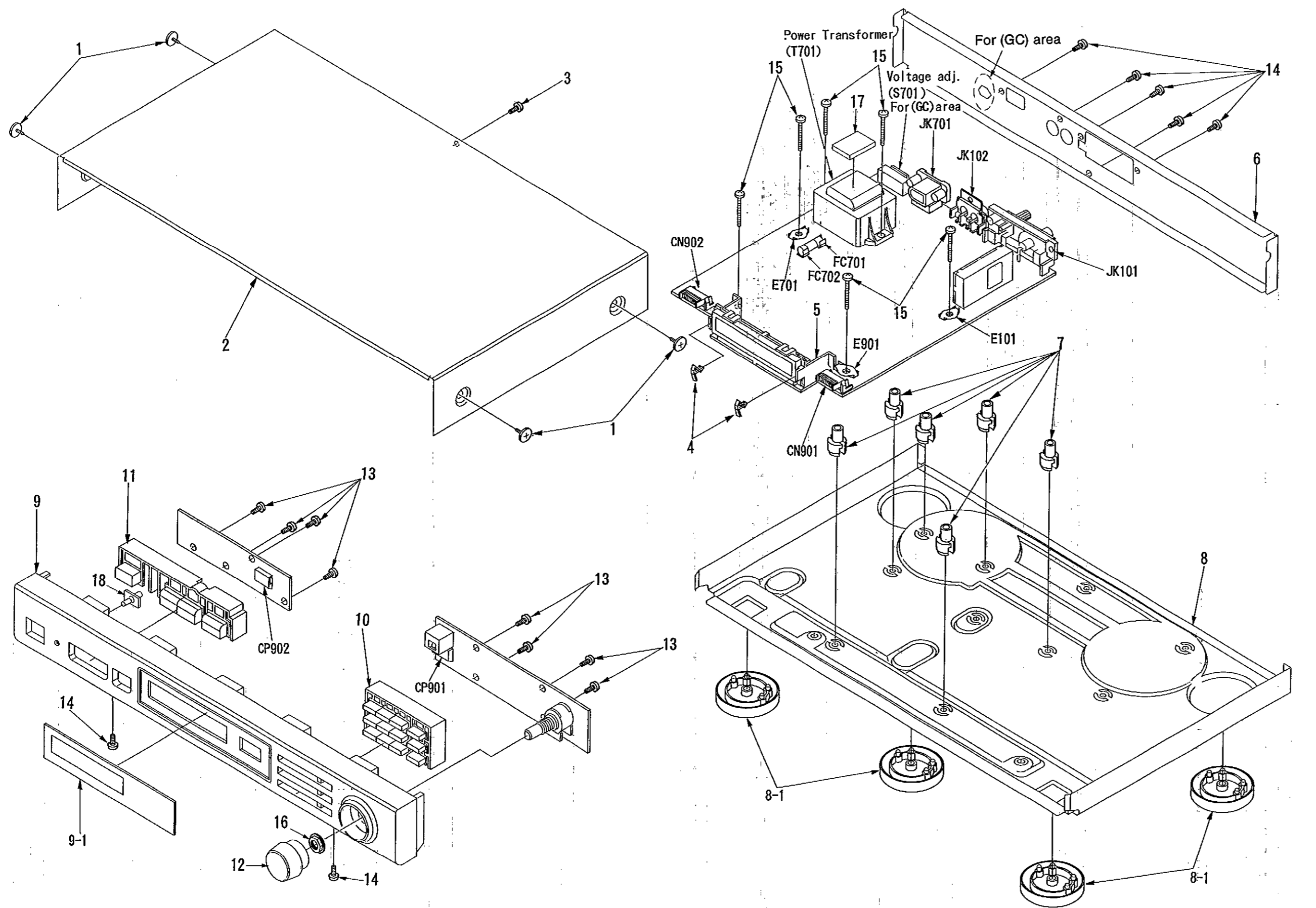


CABINET PARTS LOCATION



REPLACEMENT PARTS LIST

Notes: *Important safety notice:
 Components identified by Δ mark have special characteristics important for safety.
 Furthermore, special parts which have purposes of fire-retardant (resistors), high-quality sound (capacitors), low-noise (resistors), etc. are used.
 When replacing any of components, be sure to use only manufacturer's specified parts shown in the parts list.
 *The parenthesized indications in the Remarks columns specify the areas. (Refer to the cover page for area.)
 Parts without these indications can be used for all areas.
 *E indicates in Remarks columns parts are supplied by PFS. (Panasonic France S.A. Longwy division.)

Ref. No.	Part No.	Part Name & Description	Remarks	Ref. No.	Part No.	Part Name & Description	Remarks
CABINET AND CHASSIS				Q113	2SC3311AIRTA	TRANSISTOR	
				Q191-193	2SC3311ARSTA	TRANSISTOR	(E, EB, EF, EP)
1	RHD30035-K	SCREW		Q701	2SC3940AQSTA	TRANSISTOR	Δ
2	RKM0032-K	CABINET		Q702	2SC1685QRSTA	TRANSISTOR	Δ
3	XTB3+8JFZ	SCREW		Q704	UN4114TA	TRANSISTOR	
4	RMN0195	FL. PIECE		Q705	UN4213	TRANSISTOR	
5	RMN0251	FL. HOLDER		Q706, 707	2SC3327-A	TRANSISTOR	
6	RGRD181A-B	REAR PANEL	(E, EP)	Q708	2SC1685QRSTA	TRANSISTOR	Δ
6	RGRD181A-D	REAR PANEL	(EB)	Q901	UN4214TA	TRANSISTOR	
6	RFKHTGT350EF	REAR PANEL ASS'Y	E (EF)	Q902	2SA1309AIRTA	TRANSISTOR	Δ
6	RGRD181A-C	REAR PANEL	(EG)	Q903, 904	UN4214TA	TRANSISTOR	
6	RGRD181A-F	REAR PANEL	E (EI)			DIODE (S)	
6	RGRD181B-B	REAR PANEL	(GC)				
6	RGRD181A-D	REAR PANEL	(GN)	D102	MA165	DIODE	
7	RKQ0089	P. C. B. SUPPORT		D103-107	MA700	DIODE	
8	RFKJLPG460-K	CHASSIS ASS'Y		D701, 702	RL1N4003N02	DIODE	Δ
8-1	RKAD053-A	FOOT		D703, 704	MA165	DIODE	Δ
9	RFKGTGT350E	FRONT PANEL ASS'Y		D705	MA140M	DIODE	Δ
9-1	RKM0329-K	TRANSPARENT PLATE		D706	MA4062-H	DIODE	Δ
10	RFKNTR55PPAK	PRESET BUTTON ASS'Y		D707	MA4056HTA	DIODE	Δ
11	RFKNTR55PPBK	POWER/MODE BUTTON ASS'Y		D708, 709	MA165	DIODE	
12	RGM0200-K	TUNING KNOB		D710	MA4047HTA	DIODE	Δ
13	RHD26017	SCREW		D711, 712	MA165	DIODE	
14	XTB3+8JFZ1	SCREW		D901	MA165	DIODE	
15	XTB3+20JFZ	SCREW		D902	MA4039HTA	DIODE	Δ
16	RHN90001	NUT		D905	MA165	DIODE	(E, EB, EF, EP)
17	RMG0145	TRANSFORMER RUBBER		D906	LN873RP-C	L. E. D.	
18	RGL0227-Q	PANEL LIGHT		D907	MA165	DIODE	(EP)
				D908, 909	MA165	DIODE	
INTEGRATED CIRCUIT (S)				VARIABLE RESISTOR (S)			
IC101	LA1832A	FM/AM IF AMP/AM OSC		VR101	EVDXAAD0B15	SIGNAL STRENGTH LEVEL ADJ.	
IC102	LC7218	PLL. FREQ. SYNTHESIZER		VR901	RRVEC16B12-A	TUNING VOLUME ADJ.	
IC901	LC652044AD47	SYSTEM CONT./FL. DRIVE	(E, EB, EF, EG, EI, GC, GN)	COIL (S)			
IC901	LC652044AD32	SYSTEM CONT./FL. DRIVE	(EP)	TRANSISTOR (S)			
IC902	XLJ93LC46	EEPROM		L101	ELESN1ROMA	COIL	
Q101	2SC2787L	TRANSISTOR		L105, 106	RLQZB822KT-D	COIL	
Q103, 104	2SC2785FE	TRANSISTOR		L107	RLQA100JT-Y	COIL	
Q106	UN411FTA	TRANSISTOR		L108	ELEXT101KA9	COIL	
Q107, 108	2SC3311AIRTA	TRANSISTOR		L109	RLQA100JT-Y	COIL	
Q109, 110	2SD1450RTA	TRANSISTOR		L110, 111	ELEXT3R3KA9	COIL	
Q111, 112	2SC2787L	TRANSISTOR		L151	SLM1B10M-1M	COIL	
				L191	ELESN1ROMA	COIL	(E, EB, EF, EP)

Ref. No.	Part No.	Part Name & Description	Remarks	Ref. No.	Part No.	Part Name & Description	Remarks
L191	ELESNR56MA	COIL	(EG, EI, GC, GN)	S908	EVQ21405R	PRESET-TUNING (8)	
L701	RLQZ600M-W	COIL	△	S909	EVQ21405R	PRESET-TUNING (9)	
L901	ELEXT101KA9	COIL		S910	EVQ21405R	POWER	
L902	RLQA100JT-Y	COIL		S911	EVQ21405R	BAND	
		TRANSFORMER (S)		S912	EVQ21405R	FM	
T701	RTPIK4E027	POWER TRANSFORMER	△	S913	EVQ21405R	MEMORY	
		COMPONENT COMBINATION (S)		S914	EVQ21405R	TUNING MODE	
Z101	RLA2Z002M-T	COMPONENT COMBINATION	(EG, EI, GC, GN)	S915	EVQ21405R	PRESET (≥ 10)	
Z102	RLI2Z006M-T	COMPONENT COMBINATION		S916	EVQ21405R	PRESET (0)	
Z191	RLA6Z005M-T	COMPONENT COMBINATION	(E, EB, EF, EP)			CONNECTOR(S) AND SOCKET(S)	
Z901	RCDHC-278N	REMOTE SENSOR		CN901	RJU003K008M1	SOCKET (8P)	
		FILTER(S)		CN902	RJU003K006M1	SOCKET (6P)	
CF201	RLFFETNGD01L	FILTER		CP901	RJT003K008-1	CONNECTOR (8P)	
CF202	RLFFETMGD01L	FILTER		CP902	RJT003K006-1	CONNECTOR (6P)	
		OSCILLATOR(S)				JACK(S)	
X101	RSXZ456KM07	OSCILLATOR (456KHz)		JK101	RJH4202M	ANT TERMINAL	
X102	RLFDGTD01I	OSCILLATOR (10.7MHz)		JK102	RJH3201N	LINE OUT	
X103	RSXC7M20S04T	OSCILLATOR (7.2MHz)		JK701	SJS9236	AC INLET	(E, EB, EG, EF, EI, EP, GC) △
X901	EFOEC4004T4	OSCILLATOR (4MHz)		JK701	SJSD16	AC INLET	(GN) △
		DISPLAY TUBE (S)				GND PLATE(S)	
FL901	RSL0166-F	DISPLAY TUBE		E101	SNE1004-2	GND PLATE	
		FM FRONT END PACK ASS'Y(S)		E701	SNE1004-2	GND PLATE	
Z120	ENV17290G1R	FM FRONT END	(E, EB, EF)	E901	SNE1004-2	GND PLATE	
Z120	ENV17290G1	FM FRONT END	(EG, EI, GC, GN)			FUSE HOLDER(S)	
Z120	RAL0021	FM FRONT END	(EP)	FC701, 702	EYF52BC	FUSE HOLDER	
		FUSE (S)					
F1	XBA2C04TBO	FUSE, 250V T400mA	△				
		SWITCH(ES)					
S701	ESD26700A	VOLTAGE ADJ.	(GC) △				
S901	EVQ21405R	PRESET-TUNING (1)					
S902	EVQ21405R	PRESET-TUNING (2)					
S903	EVQ21405R	PRESET-TUNING (3)					
S904	EVQ21405R	PRESET-TUNING (4)					
S905	EVQ21405R	PRESET-TUNING (5)					
S906	EVQ21405R	PRESET-TUNING (6)					
S907	EVQ21405R	PRESET-TUNING (7)					

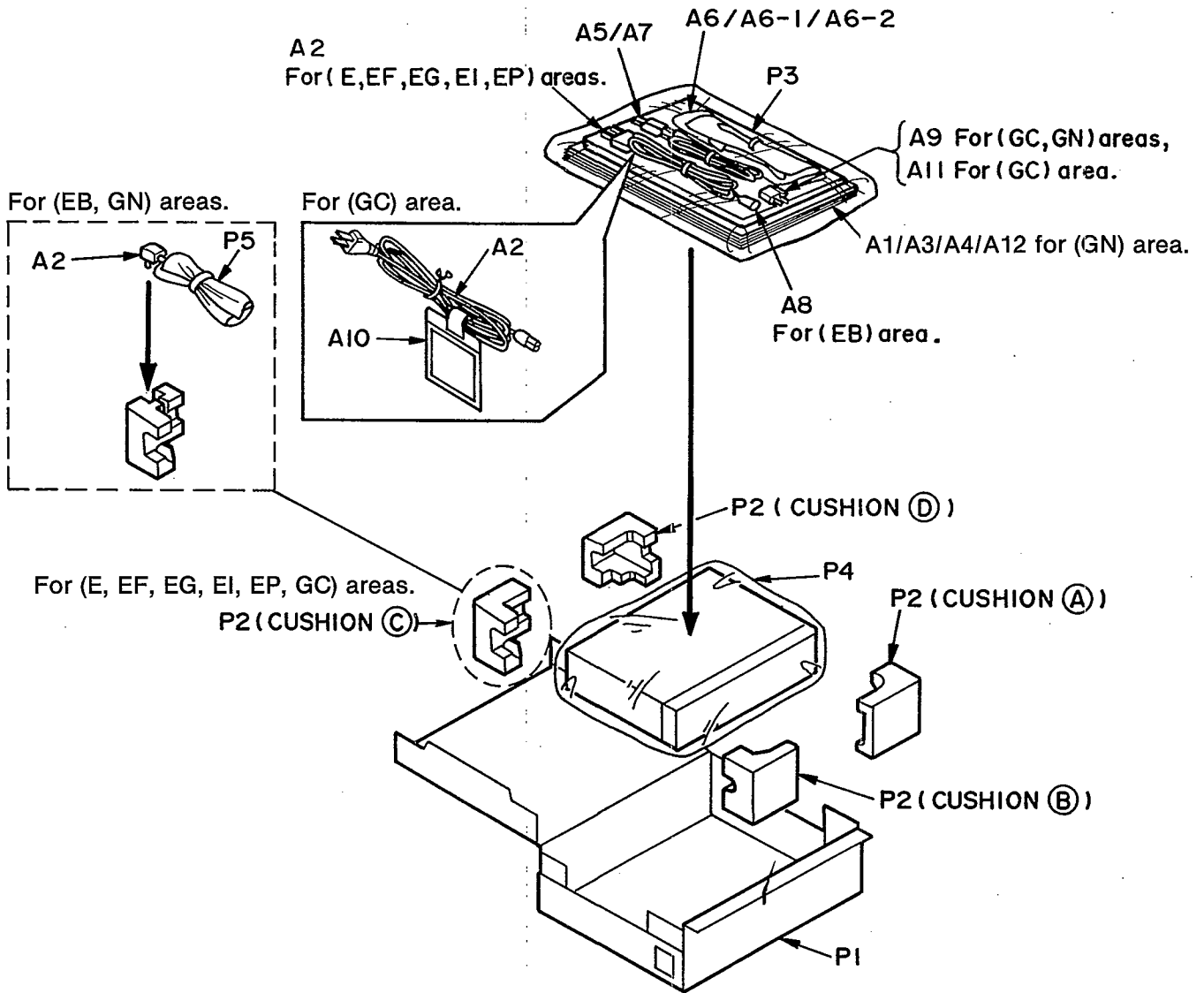
RESISTORS AND CAPACITORS

Notes : * Capacity values are in microfarads (uF) unless specified otherwise, P=Pico-farads (pF) F=Farads (F)
* Resistance values are in ohms, unless specified otherwise, 1K=1,000 (OHM), 1M=1,000k (OHM)

Ref. No.	Part No.	Values & Remarks	Ref. No.	Part No.	Values & Remarks	Ref. No.	Part No.	Values & Remarks
		RESISTORS	R178	ERDS2TJ104	1/4W 100K	R941	ERDS2TJ224T	1/4W 220K
			R179	ERDS2TJ333	1/4W 33K	R942, 943	ERDS2TJ104	1/4W 100K
			R191	ERDS2TJ103	1/4W 10K (E, EB, EF, EP)	R944	ERDS2TJ103	1/4W 10K
R103	ERDS2TJ101	1/4W 100						CAPACITORS
R104	ERDS2TJ102	1/4W 1K	R192	ERDS2TJ122	1/4W 1.2K (E, EB, EF, EP)			
R105	ERDS2TJ471	1/4W 470	R193	ERDS2TJ182	1/4W 1.8K (E, EB, EF, EP)	C101	ECBTC1C103NS5	16V 0.01U
R106	ERDS2TJ474	1/4W 470K	R194	ERDS2TJ122	1/4W 1.2K (E, EB, EF, EP)	C103	ECBTC1C103NS5	16V 0.01U
R107	ERDS2TJ331	1/4W 330	R195	ERDS2TJ222	1/4W 2.2K (E, EB, EF, EP)	C104	ECBT1H102KB5	50V 1000P
R110	ERDS2TJ102	1/4W 1K	R702	ERDS2TJ221	1/4W 220	C106	ECBTC1C103NS5	16V 0.01U
R112	ERDS2TJ104	1/4W 100K	R703	ERDS2TJ102	1/4W 1K	C107	ECFR1E473KR	25V 0.047U
R113	ERDS2TJ103	1/4W 10K	R704, 705	ERDS2TJ222	1/4W 2.2K	C108	ECBT1H100JC5	50V 10P (E, EB, EF, EP)
R114	ERDS2TJ562	1/4W 5.6K	R706, 707	ERDS2TJ181T	1/4W 180	C108	ECBT1H8R2KC5	50V 8.2P (EG, EI, GC, GN)
R115	ERDS2TJ561	1/4W 560	R708, 709	ERDS2TJ103	1/4W 10K	C109, 110	ECBTC1C103NS5	16V 0.01U
R116	ERDS2TJ102	1/4W 1K	R710	ERDS1FVJ680T	1/2W 68 Δ	C111	ECEA1EKA4R7B	25V 4.7U
R117	ERDS2TJ104	1/4W 100K	R901	ERDS2TJ102	1/4W 1K	C112	ECBTC1C103NS5	16V 0.01U
R118	ERDS2TJ562	1/4W 5.6K	R903	ERDS2TJ472	1/4W 4.7K	C113	ECBT1H102KB5	50V 1000P
R119	ERDS2TJ822	1/4W 8.2K	R904	ERDS2TJ222	1/4W 2.2K	C114	ECEA1HKA3R3B	50V 3.3U
R120	ERDS2TJ473	1/4W 47K	R905	ERDS2TJ102	1/4W 1K	C115	ECEA1EKA4R7B	25V 4.7U
R121	ERDS2TJ332	1/4W 3.3K	R906, 907	ERDS2TJ104	1/4W 100K	C116	ECBTC1C822MS5	16V 8200P
R122	ERDS2TJ272T	1/4W 2.7K	R908-910	ERDS2TJ103	1/4W 10K	C117	ECQP2A681JZT	200V 680P (E, EB, EF, EG, EI, GC, GN)
R124	ERDS2TJ271	1/4W 270	R911	ERDS2TJ102	1/4W 1K	C117	ECQP2A561JZT	200V 560P (EP)
R125, 126	ERDS2TJ472	1/4W 4.7K	R912	ERDS2TJ102	1/4W 1K	C118, 119	ECQB1H103JF3	50V 0.01U
R127	ERDS2TJ103	1/4W 10K	R913	ERDS2TJ122	1/4W 1.2K	C120, 121	ECEA1HKA010B	50V 1U
R129	ERDS2TJ473	1/4W 47K	R914	ERDS2TJ182	1/4W 1.8K	C122	ECEA1HKA2R2B	50V 2.2U
R130	ERDS2TJ222	1/4W 2.2K	R915	ERDS2TJ222	1/4W 2.2K	C123	ECEA1HKA010B	50V 1U
R131	ERDS2TJ102	1/4W 1K	R916	ERDS2TJ332	1/4W 3.3K	C124	ECBT1H102KB5	50V 1000P
R132	ERDS2TJ103	1/4W 10K	R917	ERDS2TJ472	1/4W 4.7K	C125	ECBT1H150JC5	50V 15P
R133-137	ERDS2TJ102	1/4W 1K	R918	ERDS2TJ682T	1/4W 6.8K	C126	ECFR1E473KR	25V 0.047U
R139, 140	ERDS2TJ272T	1/4W 2.7K	R919	ERDS2TJ123	1/4W 12K	C127	ECEA1AKA220B	10V 22U
R141, 142	ERDS2TJ102	1/4W 1K	R920	ERDS2TJ103	1/4W 10K	C128	ECBTC1C103NS5	16V 0.01U
R143, 144	ERDS2TJ222	1/4W 2.2K	R921	ERDS2TJ102	1/4W 1K	C129, 130	ECEA0JKA101B	6.3V 100U
R145, 146	ERDS2TJ122	1/4W 1.2K (E, EB, EF, EP, GC, GN)	R922	ERDS2TJ122	1/4W 1.2K	C132	ECBT1H102KB5	50V 1000P
R145, 146	ERDS2TJ561T	1/4W 560 (EG, EI)	R923	ERDS2TJ152	1/4W 1.5K	C133	ECBT1H150JC5	50V 15P
R147, 148	ERDS2TJ474	1/4W 470K	R924	ERDS2TJ182	1/4W 1.8K	C134	ECBT1H180JC5	50V 18P
R151	ERDS2TJ331	1/4W 330	R925	ERDS2TJ222	1/4W 2.2K	C135, 136	ECBTC1C103KS5	16V 0.01U
R152	ERDS2TJ224T	1/4W 220K	R926	ERDS2TJ332	1/4W 3.3K	C137, 138	ECBT1H561KB5	50V 560P
R153	ERDS2TJ102	1/4W 1K	R927	ERDS2TJ472	1/4W 4.7K	C139, 140	ECQB1H472JF3	50V 4700P
R154	ERDS2TJ102	1/4W 1K	R930	ERDS2TJ102	1/4W 1K	C141-144	ECEA1HKA010B	50V 1U
R155	ERDS2TJ103	1/4W 10K	R931	ERDS1FVJ471T	1/2W 470 Δ	C145	ECBT1H220J5	50V 22P
R156	ERDS2TJ103	1/4W 10K	R932, 933	ERDS2TJ223	1/4W 22K	C146	ECKR1H103ZF5	50V 0.01U
R157	ERDS2TJ274	1/4W 270K	R934	ERDS2TJ104	1/4W 100K	C148	ECBTC1C103NS5	16V 0.01U
R158	ERDS2TJ331	1/4W 330	R935	ERDS2TJ472	1/4W 4.7K	C149	ECFR1E104ZF5	25V 0.1U
R171, 172	ERDS2TJ102	1/4W 1K	R936	ERDS2TJ104	1/4W 100K	C151	ECBT1H220J5	50V 22P
R173	ERDS2TJ471	1/4W 470	R937	ERDS2TJ223	1/4W 22K	C152-155	ECBTC1C103KS5	16V 0.01U
R174	ERDS2TJ104	1/4W 100K	R939	ERDS2TJ223	1/4W 22K			
R175	ERDS2TJ102	1/4W 1K						
R176	ERDS2TJ391	1/4W 390						
R177	ERDS2TJ102	1/4W 1K						

Ref. No.	Part No.	Values & Remarks	Ref. No.	Part No.	Values & Remarks	Ref. No.	Part No.	Values & Remarks
C172	ECBT1H331KB5	50V 330P	C705	ECA1EM102B	25V 1000U	C901	ECEA0JKA101B	6.3V 100U
C173	ECEA1CKA220B	16V 22U	C706	ECA1CM222B	16V 2200U Δ	C902	ECKR1H103ZF5	50V 0.01U
C174	ECEA1CKA100B	16V 10U	C707	ECA1CM221B	16V 220U	C903-909	ECKR1H331KB5	50V 330P
C175	ECFR1E104ZF5	25V 0.1U	C708, 709	ECKR1H103ZF5	50V 0.01U	C910	ECKR1H103ZF5	50V 0.01U
C176	ECKR1H103ZF5	50V 0.01U	C710, 711	ECEA1CKA100B	16V 10U	C911	ECEA1HKA010B	50V 1U
C181	ECBT1H471KB5	50V 470P	C712	ECKR1H103ZF5	50V 0.01U	C912, 913	ECKR1H103ZF5	50V 0.01U
C701	ECKR1H103ZF5	50V 0.01U	C713	ECEA1VKA100B	35V 10U	C914	ECEA1CKA100B	16V 10U
C703	ECA1VM101B	35V 100U	C714-718	ECKR1H103ZF5	50V 0.01U			
C704	ECA1VM101B	35V 100U Δ	C719	ECBT1C103NS5	16V 0.01U			

PACKAGING



CUSHION (A) (B) (C) (D) : RPN0811 For (E, EG, GC, EP) areas.
 : RPN0769-1 For (EB, GN) areas, RPN0325 For (EF, EI) areas.

